

Plasma Cutting Torches PSB 60 S / 121 S air cooled



BINZEL. The right cutting torch for every job!

BINZEL cutting torches incorporate the high quality and technology needed for trouble-free performance whatever the cutting job. All Binzel torches are constructed to the highest standards and offer the greatest working comfort.

BINZEL torch features:

- Optimum cooling of the torch – high life-time of wear parts
- Light and flexible cable assemblies – designed to reduce fatigue
- Robust construction for durability – extended torch life

Technical Data EN 50 192:

PSB 60 S / PSB 121 S

Rating

35% Duty cycle: 60 A DC / 100 A DC

Gas supply: Plasma and cooling gas

max. entering pressure: 5 - 6 bar

necessary volume current: 150 l/min

Plasma gas

max. entering pressure: 3.5 - 4.5 bar

necessary volume current: 15 l/min

Cooling gas

max. entering pressure: 5.5 - 7 bar

necessary volume current: 150 l/min

Gas flow

after stop: ca. 60 sec. / ca. 60 sec.

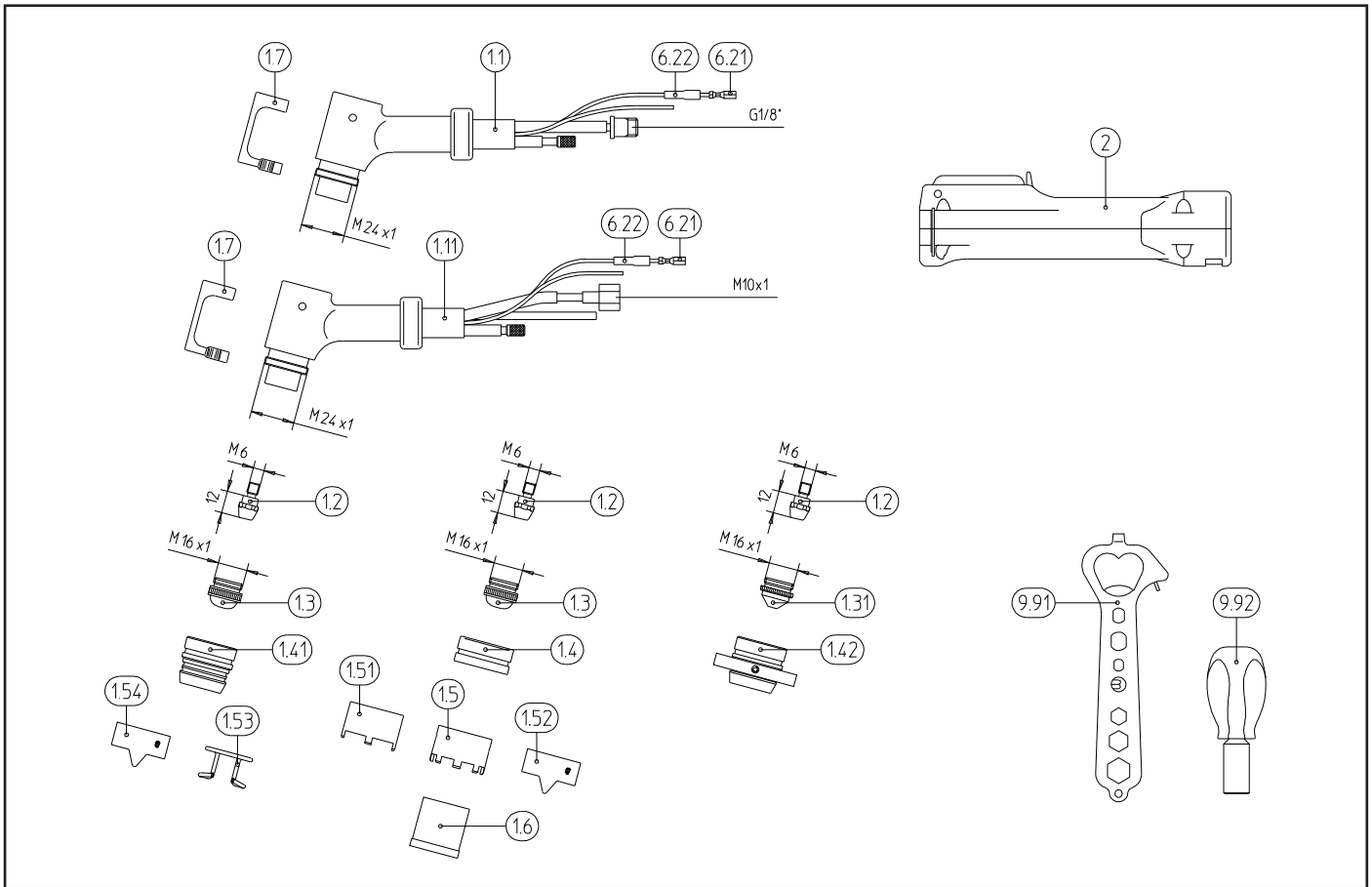
Igniting voltage: 7 kV / 7 kV

Cutting thickness: max. 15 mm / max. 40 mm

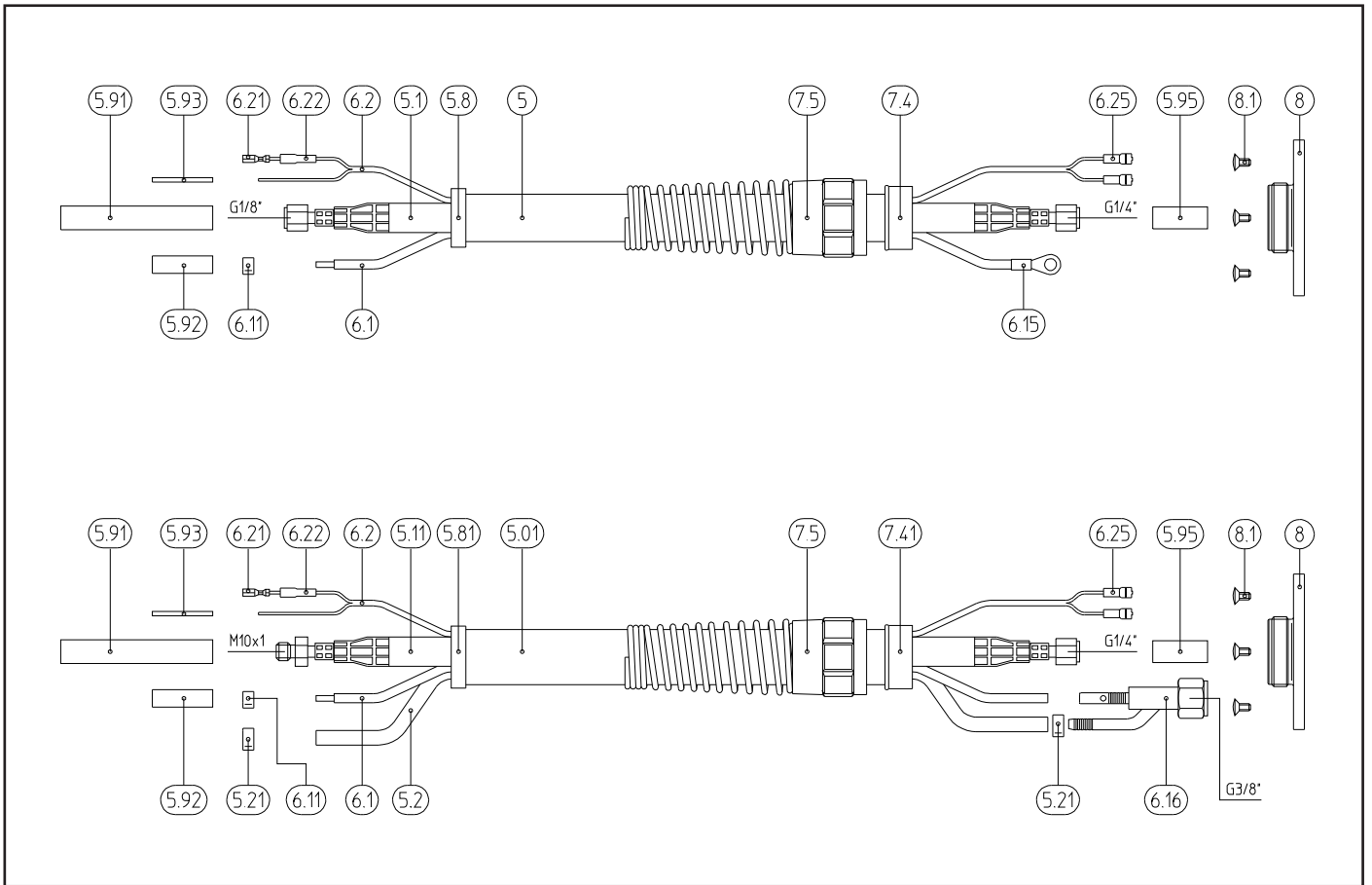
Type	Description	4.00 m long	6.00 m long
		Part no.	Part no.
PSB 60 S	single gas lead with spring and spring support	745.0051	745.0038
PSB 121 S	dual gas lead with V-type nozzle and spring support	747.0078	747.0075
AUT-PSB 60 L	single gas lead with spring support		745.0025
AUT-PSB 121 L	dual gas lead with spring support		747.0010
ROBO-PSB 121 L	dual gas lead with spring support		747.0011

Welding & cutting brought to the point.

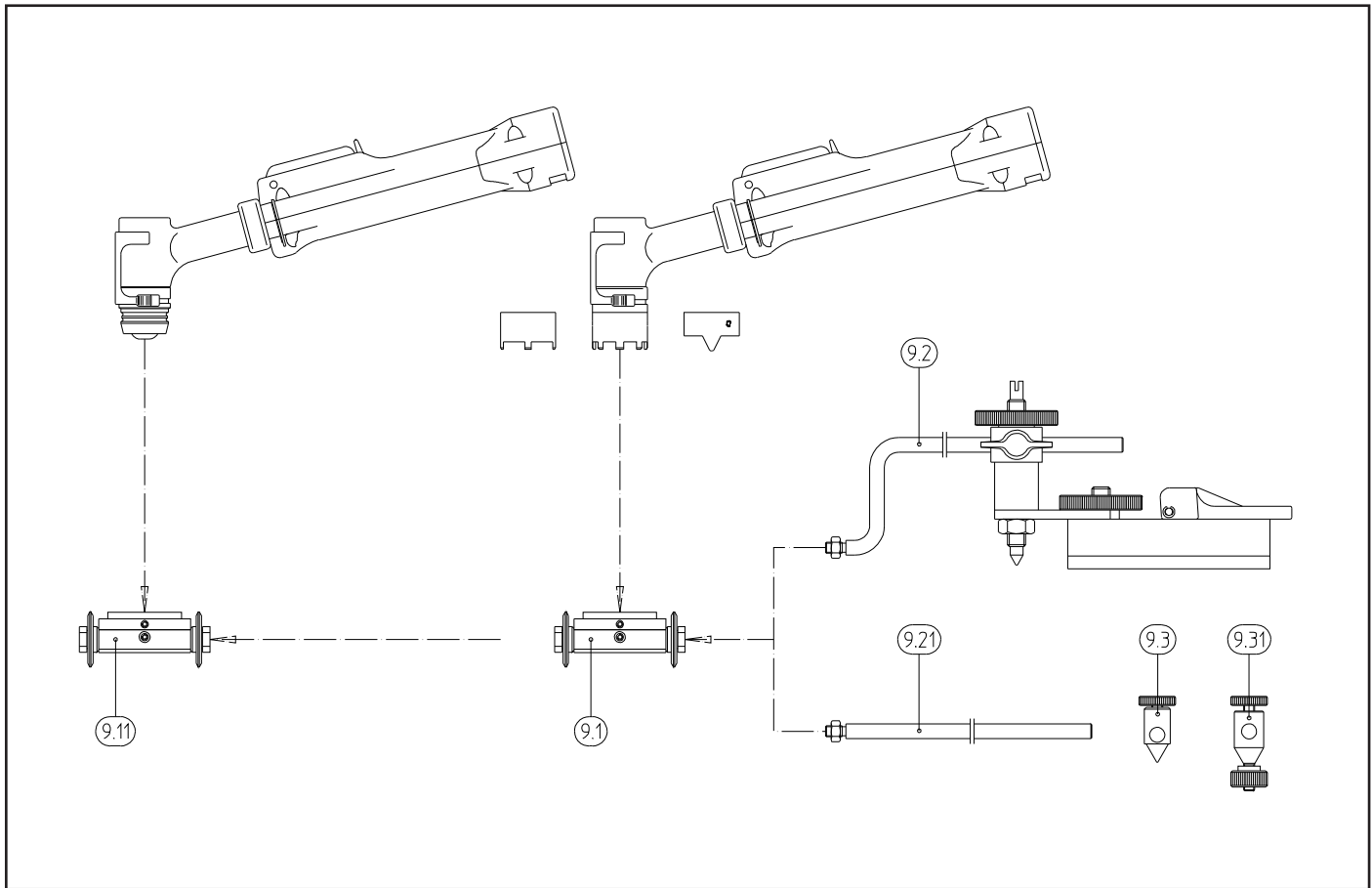




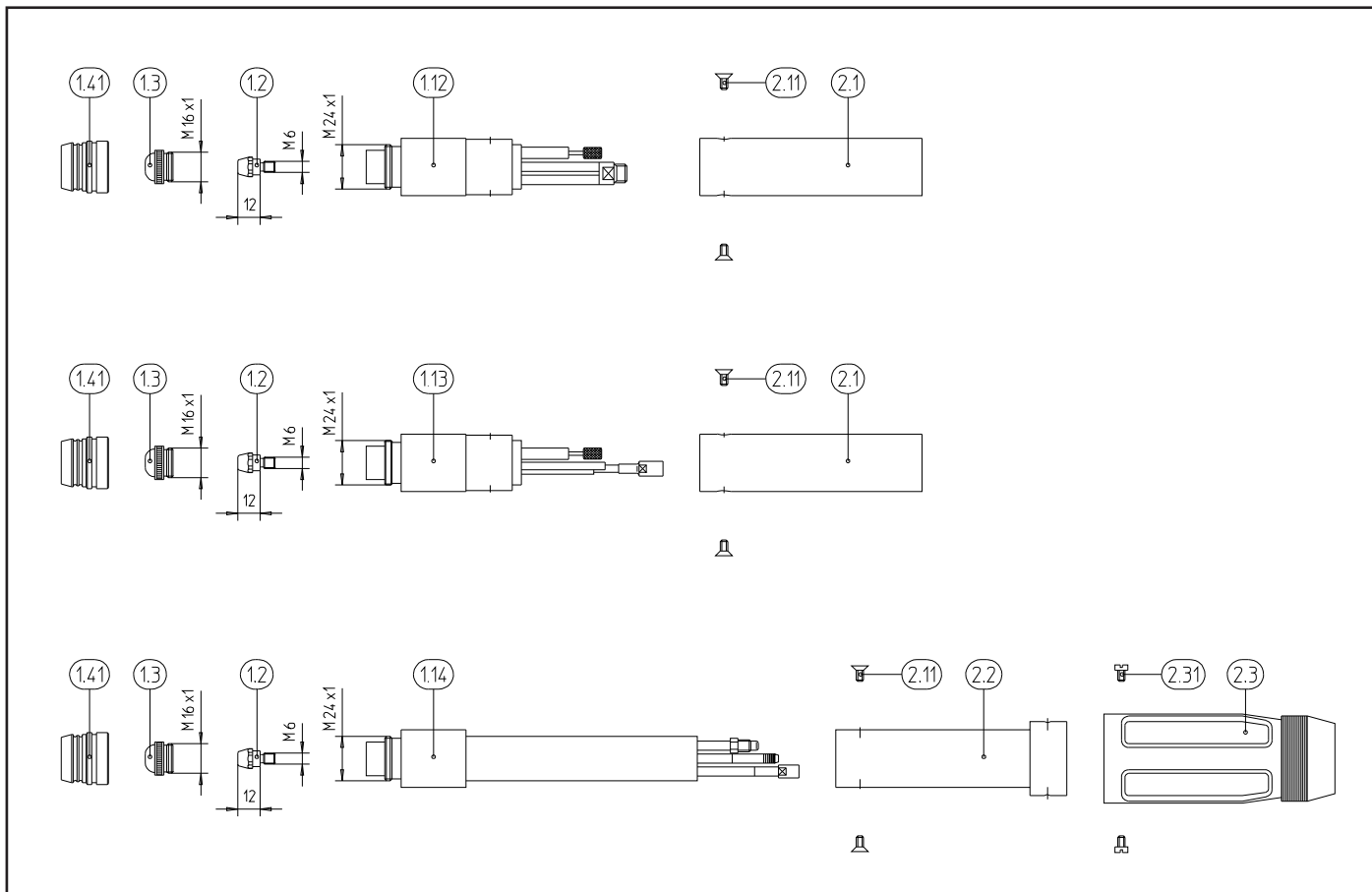
Build group	Pos.	Description	Specifications	Part no.
Torch body	1.1	Torch body PSB 60 S		745.0035
	1.11	Torch body PSB 121 S		747.0136
Wear parts	1.2	Electrode	10 pcs.	743.0441
	1.3	Plasma nozzle Ø 1.0 mm	10 pcs.	743.0122
		Plasma nozzle Ø 1.3 mm	10 pcs.	743.0142
		Plasma nozzle Ø 1.5 mm	10 pcs.	743.0132
		Plasma nozzle Ø 1.8 mm	10 pcs.	743.0209
		Plasma nozzle Ø 2.0 mm	10 pcs.	743.0355
	1.31	Plasma nozzle 30° Ø 1.0 mm	10 pcs.	743.0202
		Plasma nozzle 30° Ø 1.3 mm	10 pcs.	743.0261
		Plasma nozzle 30° Ø 1.5 mm	10 pcs.	743.0203
		Plasma nozzle 30° Ø 1.8 mm	10 pcs.	743.0262
	1.4	Distance sleeve		743.0125
	1.41	Spring support		743.0131
	1.42	Cutting device (bevel cuts)		743.0114
	1.5	Distance nozzle		743.0127
	1.51	Distance nozzle		743.0170
1.52	V-type distance nozzle		743.0168	
1.53	Spring		743.0149	
1.54	V-type distance nozzle cpl. (for spring support)		743.0267	
1.6	Distance nozzle support		743.0126	
1.7	Safety clamp cpl.		743.0407	



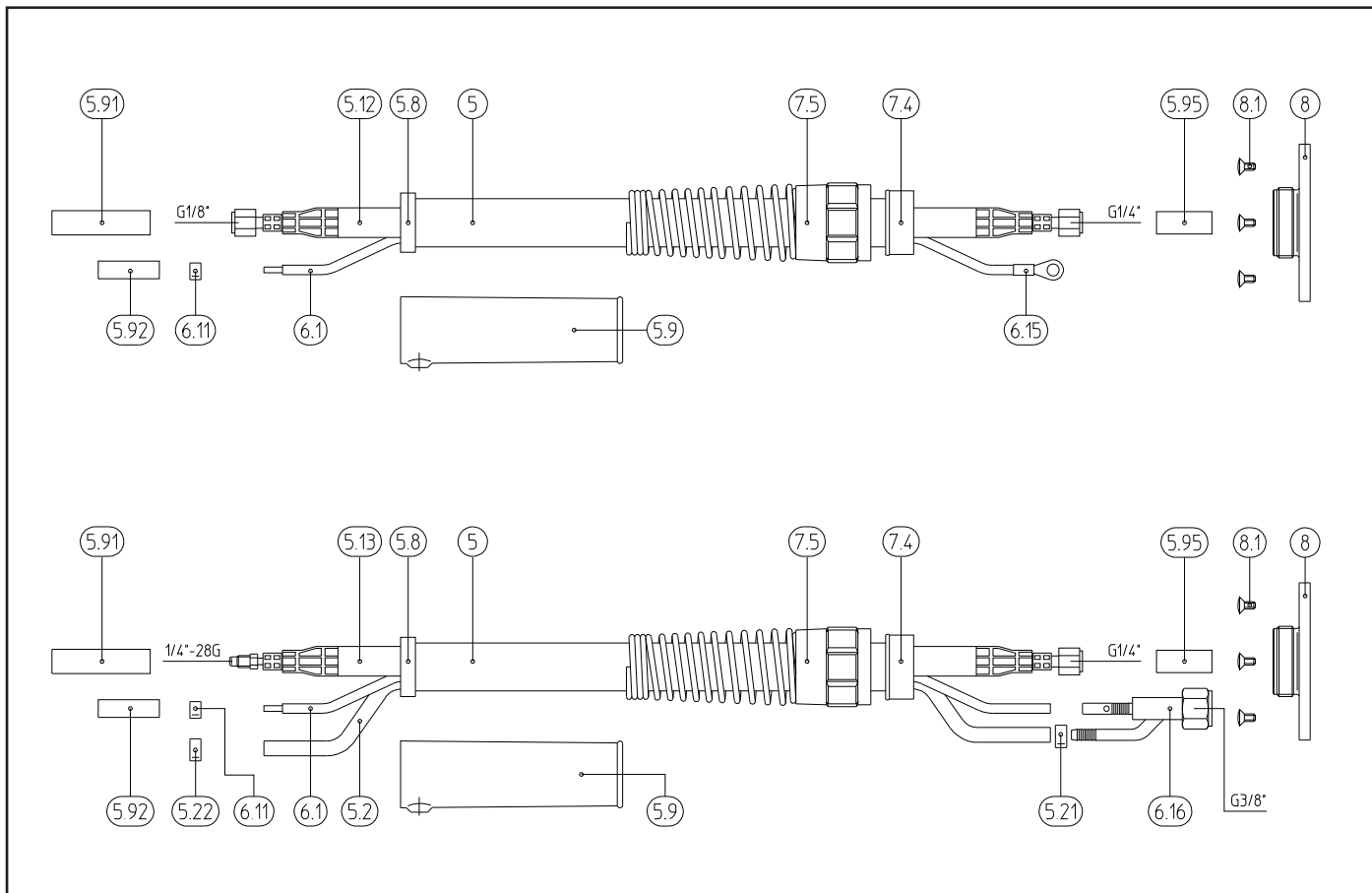
Build group	Pos.	Description	Specifications	Part no.
Handle	2	Handle cpl.		743.0038
Cable assembly	5	Outer cover Ø 18x1.5	per meter	105.0056
	5.01	Outer cover Ø 20x1.5	per meter	105.0005
	5.1	Plasma-bikox-cable 1 for 4.00 m Plasma-bikox-cable 1 for 6.00 m	PSB 60 S PSB 60 S	117.0024 117.0020
	5.11	Plasma-bikox-cable 1 for 4.00 m Plasma-bikox-cable 1 for 6.00 m	PSB 121 S PSB 121 S	117.0033 117.0004
	5.2	Hose Ø 3x1.5	per meter	102.0124
	5.21	Hose clamp Ø 9.5 mm with ring	20 pcs.	173.0001
	5.8	Cable support		400.0099
	5.81	Cable support		400.0101
	5.91	Shrink hose Ø 12.70 mm	per meter	104.0009
	5.92	Shrink hose Ø 9.50 mm	per meter	104.0006
	5.93	Shrink hose Ø 2.38 mm	per meter	104.0002
	5.95	Hose Ø 10x1		752.0908
	6.1	Pilot arc lead	per meter	100.0074
	6.11	Hose clamp Ø 7.5 mm	20 pcs.	171.0001
	6.15	Trigger wire connector	20 pcs.	175.0039
	6.16	Connector G 3/8"		743.0329
	6.2	Control cable 2 pol.	per meter	100.0099



Build group	Pos.	Description	Specifications	Part no.
Cable assembly	6.21	Trigger wire connector	20 pcs.	175.0022
	6.22	Insulating sleeve	20 pcs.	400.0119
	6.25	Trigger wire connector	20 pcs.	175.0049
	7.4	Strain relief ND 21		400.0409
	7.41	Strain relief ND 23		400.0507
	7.5	Cable support spring ND 25		500.0234
	Accessories	8	Flange	
8.1		Countersunk screw M6x16	20 pcs.	009.0196
9.1		Torch carriage with bearings (for distance nozzle)		743.0049
9.11		Torch carriage with bearings (for spring support)		742.0027
9.2		Centering device cpl. consisting of:		743.0344
		Vacuum fixture		743.0050
		Centering device		743.0051
		Extension arm bent; 500.0 mm long		743.0052
9.21		Extension arm straight; 250.0 mm long		743.0345
		Extension arm straight; 440.0 mm long		743.0346
9.3		Extension arm holder with centre pin		743.0342
9.31		Extension arm holder with thread		743.0343
9.91	Multiple wrench	10 pcs.	191.0015	
9.92	Electrode wrench		743.0064	



Build group	Pos.	Description	Specifications	Part no.
Torch body	1.12	Torch body AUT-PSB 60 L		745.0021
	1.13	Torch body AUT-PSB 121 L		747.0005
	1.14	Torch body ROBO-PSB 121 L		747.0007
Wear parts	– Wear parts see page 2 –			
Handle	2.1	Handle AUT		743.0211
	2.11	Countersunk screw M4x6	20 pcs.	009.0186
	2.2	Outer tube ROBO		743.0157
	2.3	Outer tube ROBO		400.0136
	2.31	Screw M4x6	20 pcs.	000.0552
Cable assembly	5	Outer cover Ø 18x1.5	per meter	105.0056
	5.12	Plasma-bikox-cable 1 for 6.00 m	AUT-PSB 60 L	117.0020
	5.13	Plasma-bikox-cable 1 for 6.00 m	AUT/ROBO-PSB 121 L	117.0010
	5.2	Hose Ø 3x1.5	per meter	102.0124
	5.21	Hose clamp Ø 9.5 mm with ring	20 pcs.	173.0001
	5.22	Hose clamp Ø 8.7 mm	20 pcs.	171.0002
	5.8	Cable support		400.0099
	5.9	Cable support		743.0216
	5.91	Shrink hose Ø 12.70 mm	per meter	104.0009
	5.92	Shrink hose Ø 9.50 mm	per meter	104.0006
5.95	Hose Ø 10x1		752.0908	



Build group	Pos.	Description	Specifications	Part no.
Cable assembly	6.1	Pilot arc lead	per meter	100.0074
	6.11	Hose clamp Ø 7.5 mm	20 pcs.	171.0001
	6.15	Trigger wire connector	20 pcs.	175.0039
	6.16	Connector G 3/8"		743.0329
	7.4	Strain relief ND 21		400.0409
	7.5	Cable support spring ND 25		500.0234
Accessories	8	Flange		500.0192
	8.1	Countersunk screw M6x16	20 pcs.	009.0196
		w/o. fig. Condensate filter		743.0294
		w/o. fig. Condensate filter for replacement		743.0384

Warning:

Any service on the torch should be performed when the machine is switched off and disconnected from the power panel, no matter whether to exchange wear parts or to do maunting an cable package.

Welding & cutting brought to the point.



Alexander Binzel Schweißtechnik GmbH & Co. KG
 P.O. Box 10 01 53 · D-35331 Gießen
 Tel.: ++49 (0) 64 08 / 59-0
 Fax: ++49 (0) 64 08 / 59-191
 http: //www.binzel-abicor.com