

8.1 Spare parts list PHT-31 G/L

.11.844.001.000E

23.03.2009

Pos	Article-no.	Designation	Code	pcs.
00.00.00	.11.844.001.006	PHT-31 G/L 6m/70A Plasma Hand Torch		1
01.00.00	.11.844.001.190	Torch head PHT-31 G/L without components		1
02.04.01	.11.844.001.310	Cathode PHT-31 G/L		1
02.04.02	.11.844.004.310	Cathode long PHT-31 G/L		1
02.05.00	.11.844.001.153	Gas guide PHT-31 G/L		1
02.07.01	.11.844.001.410	Nozzle 1,0mm (50A) N2210		1
02.07.01	.11.844.001.412	Nozzle 1,2mm (70A) N2212		1
02.07.01	.11.844.001.414	Nozzle 1,4mm (70A) N2214		1
02.07.02	.11.844.004.410	Nozzle Long 1,0mm (40A) N2410		1
02.07.02	.11.844.004.412	Nozzle Long 1,2mm (70A) N2412		1
02.07.02	.11.844.004.414	Nozzle Long 1,4mm (70A) N2414		1
02.07.03	.11.844.002.422	Nozzle 2,2mm N2322 Gouging		1
02.08.00	.11.844.001.160	Protection Cap PHT 31 G/L		1
02.08.01	.11.844.001.162	Spacer Spring PHT-31 G/L		1
02.08.02	.11.844.001.163	Bevelling Cap PHT-31 G/L		1
02.08.03	.11.844.001.164	Contact Cap PHT-31 G/L		1
02.08.04	.11.844.001.165	Nozzle Cap, Long PHT-31 G/L		1
02.09.01	.11.844.001.161	Spatter Protection PHT-31 G/L		1
03.01.00	.11.844.101.250	Handle complete for PHT-51 G/L		1
03.01.01	.11.844.001.255	Push button		1
04.00.00	.11.844.101.700	Hose parcel for PHT-51 G/L - 6 m -		1
08.00.01	.11.844.101.820	Multiple Wrench		1
09.00.01	130.866.003.1	Safety Wrench for Central Socket		1
10.00.00	.11.844.001.890	Circle Cutting Attachment PHT-31 G/L		1
11.00.00	.11.844.001.880	Spare Part Set PHT-31 G/L		1

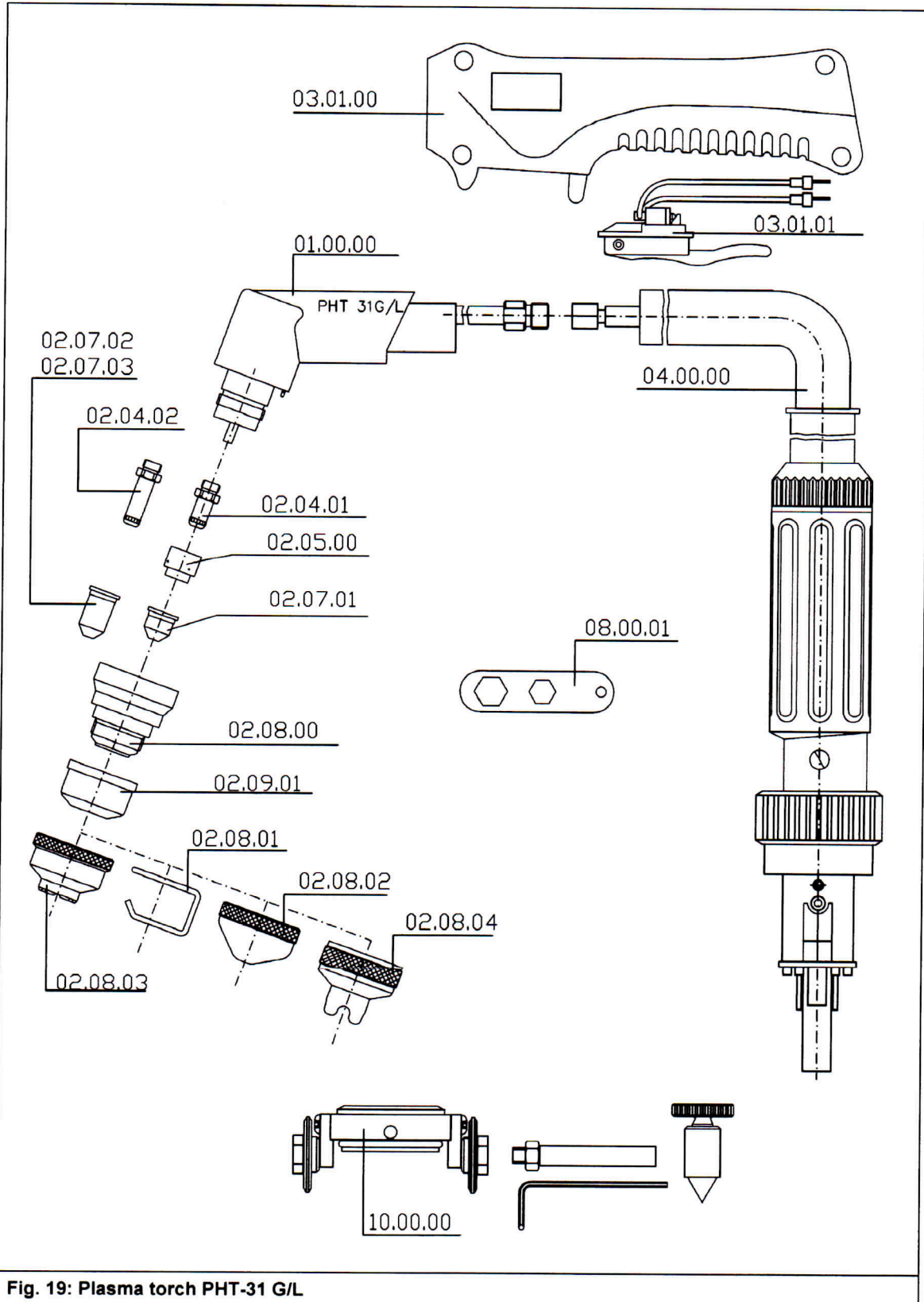


Fig. 19: Plasma torch PHT-31 G/L